

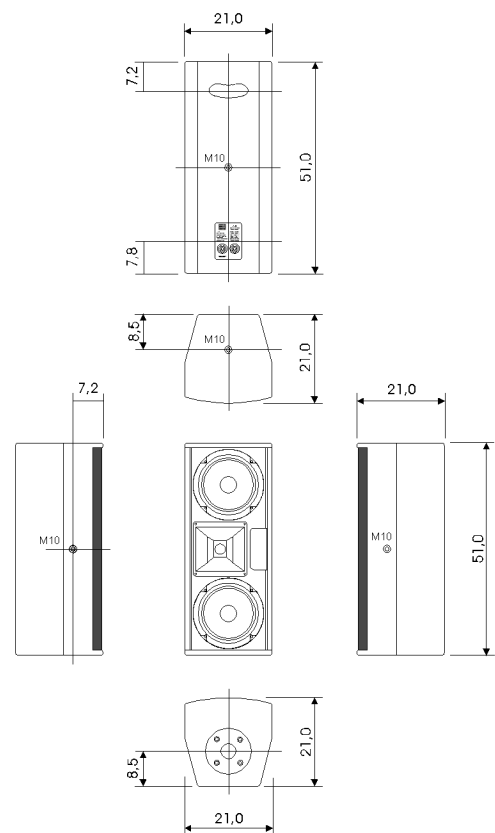
## A2 / Fullrange - HighMid Sound System

Elegant low-profile system for permanent installation and industrial presentation. Use of classic 2 x 6,5"/1" drivers ensures good speech intelligibility and transparency. Prepared for straight and horizontal mounting bracket.

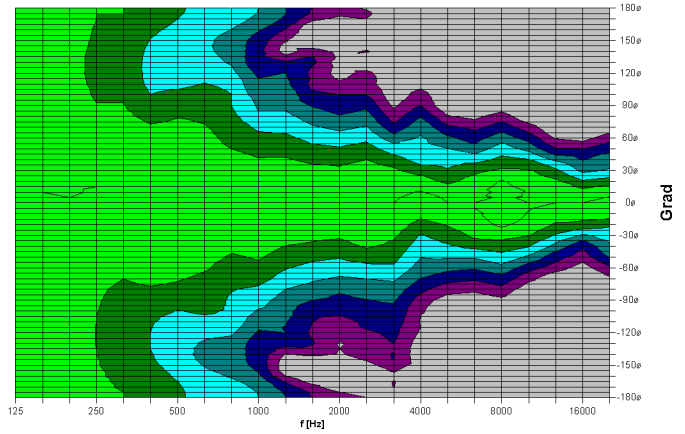


### PRODUCT SPECIFICATIONS

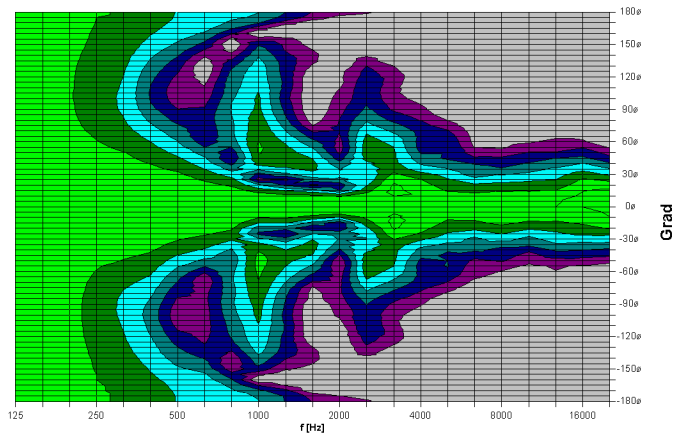
Speaker Components	2x 6,5" / 1"
Description	Fullrange - HighMid Sound System
Powerhandling - AES / Peak	150 Watt / 450 Watt
Impedance - nominal	16 Ohm - optional 4 Ohm
SPL 1m - 1Watt / Peak	93dB / 118dB
Usable Range	90Hz - 19kHz
Tuning Frequency - Excursion min.	75Hz
X - Overpoint - acoustical	2,5kHz
Connectors	2x Neutrik Speakon 4-pol
	Coding: 1+/- HiMid, 2+/- Sub
Coverage - horizontal / vertical	90° x 60° rotatable
Handles	ergonomic handle on backside
Rigging - flying points	4 x M10
Fittings	35mm pole mount
Weight	10kg
Size - height x width x depth	51,0 x 21,0 x 21,0 cm
Art. Nr.	0230



A2 90°x 60° horizontal - 2D Directivity Plot



A2 90°x 60° vertikal - 2D Directivity Plot

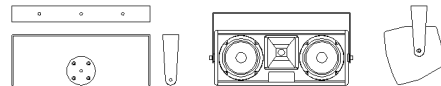


For more information, please visit our Data CD-Rom

## Accessories ( more accessories you can find in our general list of accessories )

### Flying Bracket for A2 horizontal assembly incl. screws

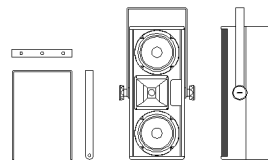
( per unit: 2 pcs M10 x 20 socket head screws,  
spring - and rubber washers.  
One piece of 110mm flange with M10 nut  
- optional feature: 2 pcs M10 x 20 ergostyle lobe knob )



Order number: 01214H set

### Flying bracket for A2 incl. screws

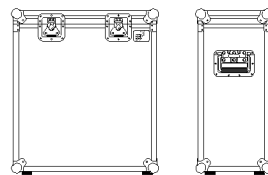
( per unit: 2 pcs. M10 x 20 ergostyle lobe knob  
and rubber washers )



Order number: 01214 set

### Flightcase for 2 pcs A2 - trunk

Heavy duty, 6.5 mm birch multiplex, PVC coated, ball corners,  
recessed sprung handles, butterfly catches, rubber bases,  
interior lined with felt.



Order number: 00000

More flightcases on request