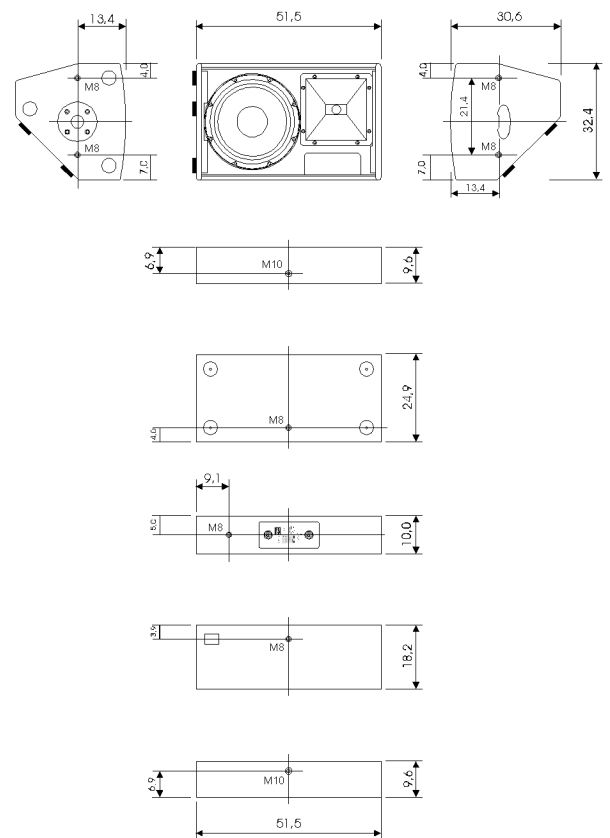


Compact multifunctional 10" / 1" system.  
 Low weight thanks to Neodym speaker.  
 Good bass response even without controller.  
 Diverse mounting points ensure simple installation.

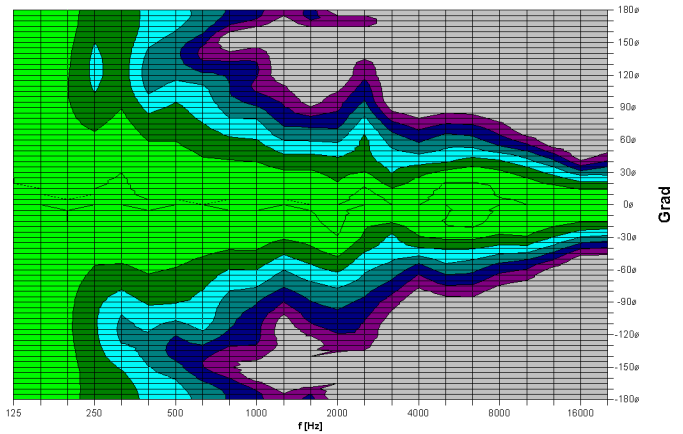


## PRODUCT SPECIFICATIONS

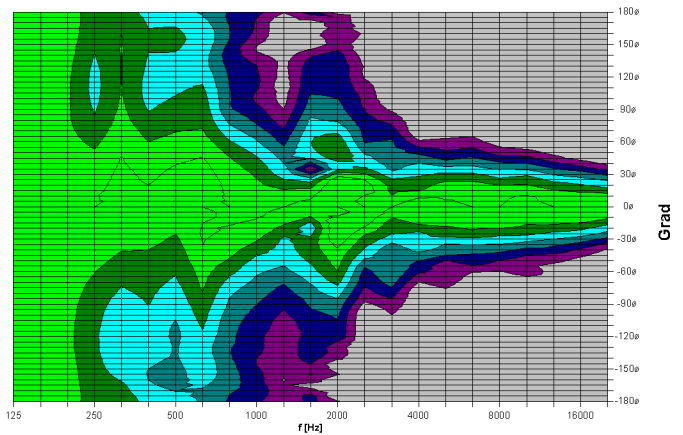
Speaker Components	10" Neodym / 1"
Description	Multipurpose Sound System
Powerhandling - AES / Peak	250 Watt / 750 Watt
Impedance - nominal	8 Ohm
SPL 1m - 1Watt / Peak	95dB / 123dB
Usable Range	60Hz - 20kHz
Tuning Frequency - Excursion min.	65Hz
X - Overpoint - acoustical	1,6kHz
Connectors	2x Neutrik Speakon 4-pol
	Coding: 1+/- HiMid, 2+/- Sub
Coverage - horizontal / vertical	90° x 60° - rotatable
Handles	ergonomic handle on top
Rigging - flying points	2 x M10 / 7 x M8
Fittings	35mm pole mount
Weight	13,2kg
Size - height x width x depth	51,5 x 32,4 x 30,6 cm
Art. Nr.	0250



A4 90°x 60° horizontal - 2D Directivity Plot



A4 90°x 60° vertikal - 2D Directivity Plot

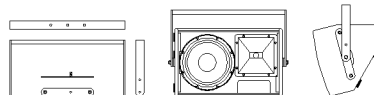


For more information, please visit our Data CD-Rom

## Accessories ( more accessories you can find in our general list of accessories )

### Flying Bracket for A4 horizontal assembly incl. screws

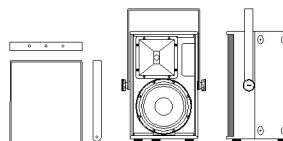
( per unit: 2 pcs adapters, M10 hex lock nuts,  
flat - and rubber washers.  
- optional feature: 2 pcs. M10 x 20 ergostyle lobe knob )



Order number: 01220H set

### Flying Bracket for A4 incl. screws

( per unit: 2 pcs. M10 x 20 ergostyle lobe knob  
and rubber washers )



Order number: 01220 set

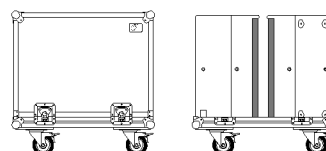
### Cover for A4 - padded



Order number: 01244

### Flightcase for 2 pcs. A4

Heavy duty, 6.5 mm birch multiplex, PVC coated, ball corners,  
recessed sprung handles, butterfly catches, rubber bases,  
interior lined with felt.



Order number: 16060

More flightcases  
on request