

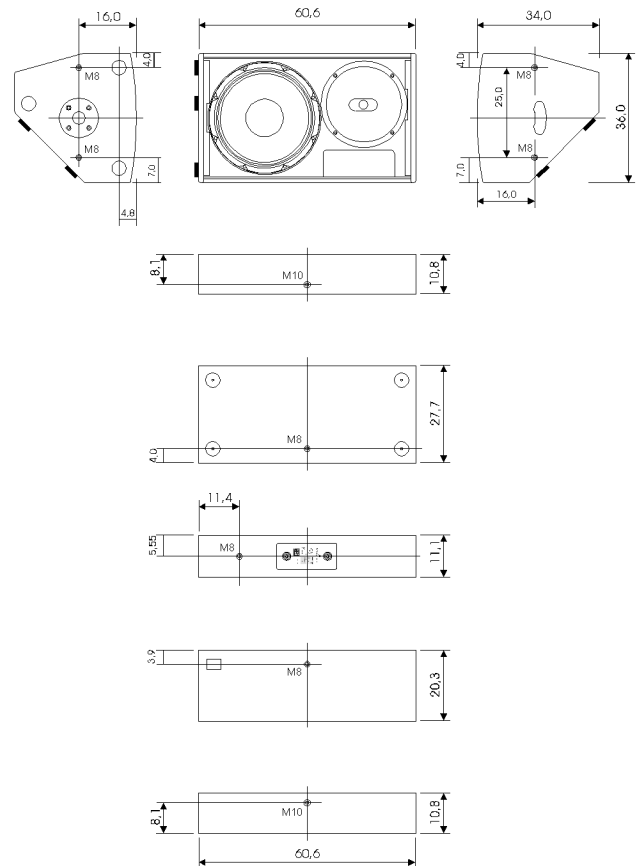
Multifunctional 12" / 1" system with exceptionally well-balanced sound reproduction. Well-suited as a high-quality fullrange / hi-mid loudspeaker and universal monitor.

The new pivotable 1" DCP (= Dual Pattern Circular Horn) ensures constant directivity of 90° x 60° across a wide frequency range.

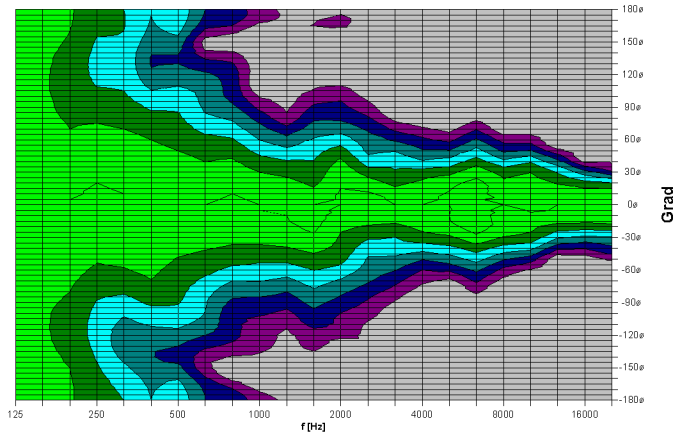


PRODUCT SPECIFICATIONS

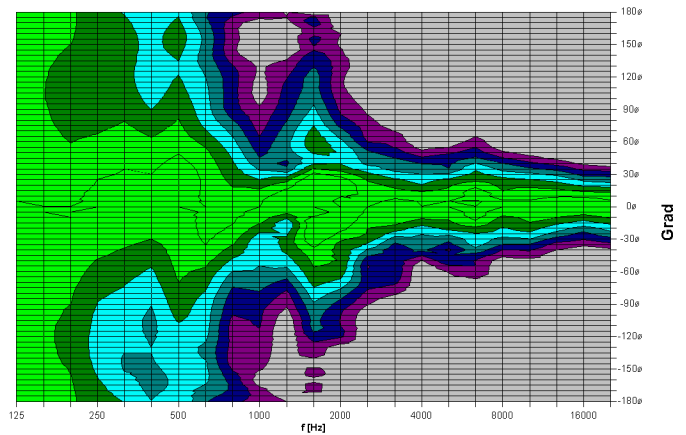
Speaker Components	12" Neodym / 1"
Description	Multipurpose Sound System
Powerhandling - AES / Peak	400 Watt / 1200 Watt
Impedance - nominal	8 Ohm
SPL 1m - 1Watt / Peak	99dB / 128dB
Usable Range	50Hz - 20kHz
Tuning Frequency - Excursion min.	60Hz
X - Overpoint - acoustical	1,3kHz
Connectors	2x Neutrik Speakon 4-pol
	Coding: 1+/- HiMid, 2+/- Sub
Coverage - horizontal / vertical	90° x 60° - rotatable
Handles	ergonomic handle on top
Rigging - flying points	2 x M10 / 7 x M8
Fittings	35mm pole mount
Weight	16,8kg
Size - height x width x depth	60,6 x 36,0 x 34,0 cm
Art. Nr.	0260



A6 90°x 60° horizontal - 2D Directivity Plot



A6 90°x 60° vertikal - 2D Directivity Plot

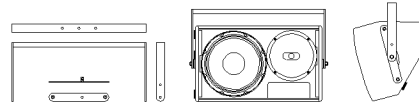


For more information, please visit our Data CD-Rom

Accessories (more accessories you can find in our general list of accessories)

Flying Bracket for A6 horizontal assembly

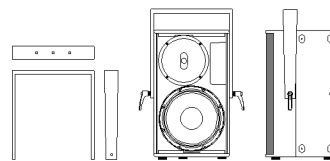
(per unit: 2 pcs. adapters, M10 hex lock nuts, flat- and rubber washers.
- optional feature: 2 pcs. M10 ergostyle lobe knob)



Order number: 01216H set

Flying Bracket for A6 inkl. screws

(per unit: 2 pcs. M10 x 30 adjustable clamping lever)



Order number: 01216 set

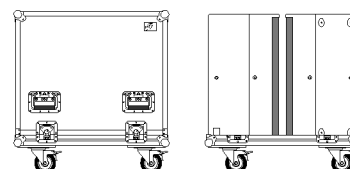
Cover for A6 - padded



Order number: 01242

Flightcase for 2 pcs. A6

Heavy duty, 6.5 mm birch multiplex, PVC coated, ball corners, 6 pcs. recessed sprung handles, 4 pcs. butterfly catches, 100 mm Blue Wheels, 2 pcs. with brake, interior lined with felt.



Order number: 16010

More flightcases on request