

A6dp

digitally powered multifunctional Sound System

The A6dp (dp = digitally powered) is a multifunctional high-power loudspeaker offering extraordinary fidelity and high power in a very compact package.

The integral digital amplifier offers 1000 watts total output power and is controlled by a DSP.

Flat amplitude and phase response are optimized in the integral passive crossover.

Several factory set volume settings & presets can be recalled.

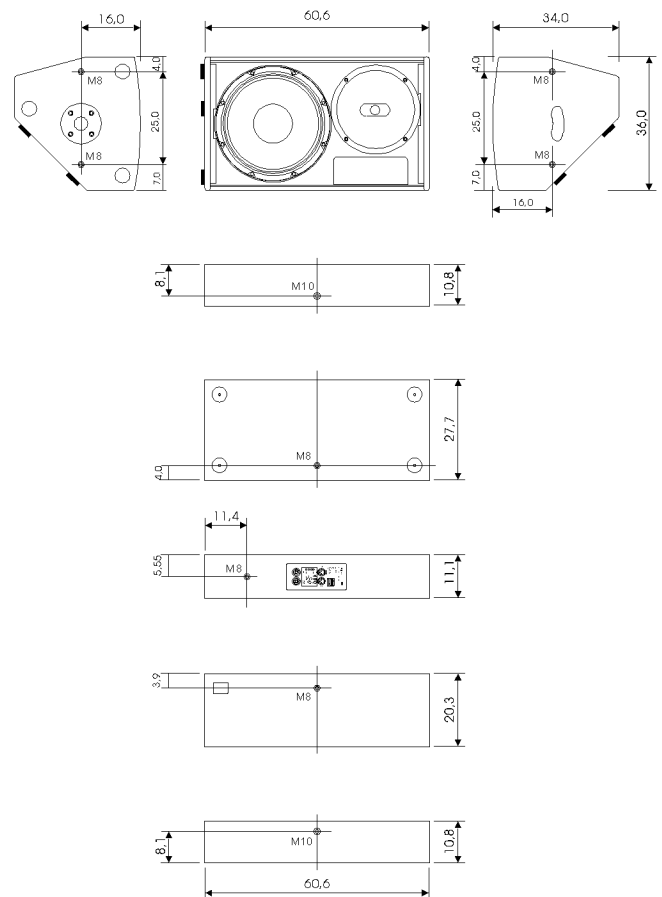
Extraordinary fidelity and capability to accept very high input levels is assured by first class design and high quality industrial electronic components, also minimizing noise.

A high effective and intelligent limiting system guarantees overload protection without limiting system capabilities.

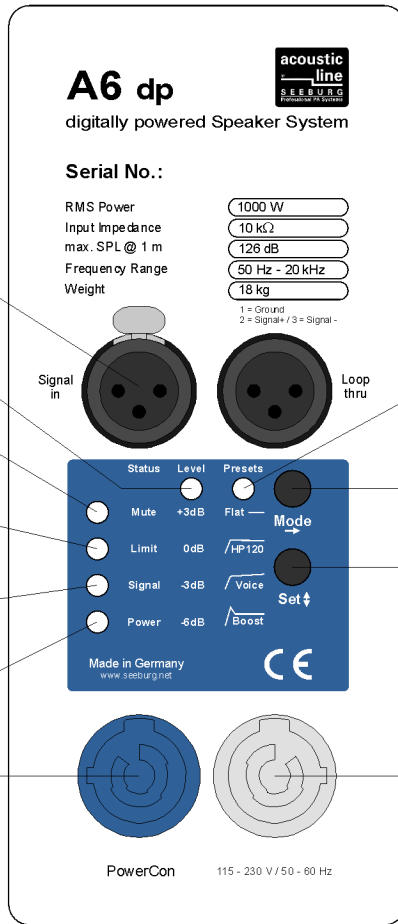


PRODUCT SPECIFICATIONS

| | |
|---|--------------------------------------|
| Speaker Components | 12" Neodym / 1" |
| Description | Multipurpose Sound System |
| Power | 1000 WEIA / 195-250 VAC |
| Max Line Input | +21dBu |
| DSP | 32bit RISC |
| Internal Signal Path | 32bit fixed-point, 64bit accumulator |
| | 64bit IIR-coefficients |
| AD/DA | 24bit / 48kHz |
| Latency | 1.54ms (analog in to analog out) |
| Signal/Noise Ratio | 115dB |
| All components comply with industrial temperature range | |
| SPL max 1m | 126dB |
| Frequency Range | 50Hz - 20kHz (Flat-Preset) |
| Tuning Frequency - Excursion min. | 60Hz |
| X - Overpoint - acoustical | 1,3kHz |
| Connectors | Neutrik XLR in/out |
| | Neutrik PowerCon in/out |
| Coverage - horizontal / vertical | 90° x 60° - rotatable |
| Handles | ergonomic handle on top |
| Rigging - flying points | 2 x M10 / 7 x M8 |
| Fittings | 35mm pole mount |
| Weight | 18kg |
| Size - height x width x depth | 60,6 x 36,0 x 34,0 cm |
| Order Number | 0260 dp |



A6dp digitally powered multifunctional Sound System



XLR
Symmetric analog input max +21dBu
Effective filter against high frequency noise and DC
Virtual ground lift

Level
Volume adjustment in 3dB steps.
There are 4 available volume presets.

Mute LED
Illuminates red when system is muted
or in a critical technical condition

Limit LED
Illuminates yellow when system limiter is active

Signal LED
Illuminates green when input signal exceeds -20dBu

Power LED
Illuminates green when system is switched on

PowerCon (blue)
Mains input connector 195-250 VAC

Flat
Linear preset for flat amplitude and neutral sound.
Standard preset for many applications.

HiPass Filter (HP120)
Activates a additional high pass filter at 120Hz
for use with additional subwoofers.

Voice
Boosts mid and high frequencies
to increase vocal intelligibility.

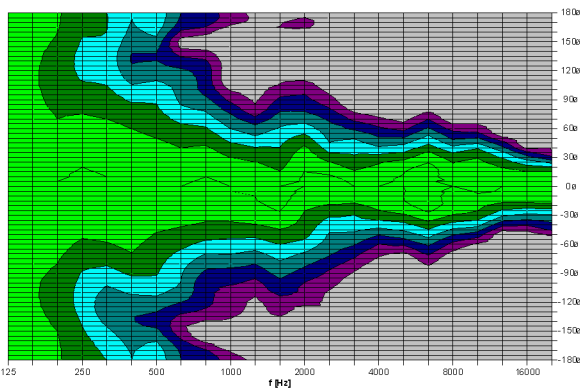
Boost
Same as Flat preset with additional bass-boost

MODE - Key
Toggles between
Status / Level / Preset

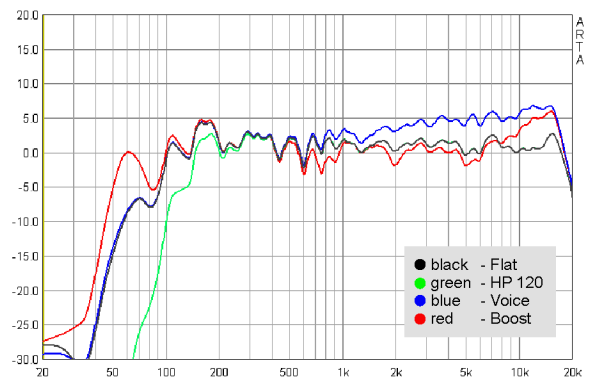
SET Key
Selects presets and volume settings.
Mute on/off

PowerCon (grey)
Mains output connector,
230 VAC/16A max

A6dp 90°x 60° horizontal - 2D Directivity Plot



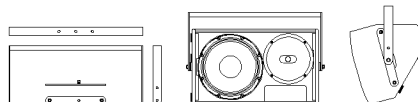
A6dp - Presets - Frequency response



Accessories (additional accessories you will find in our general catalogue)

Flying Bracket for A6 / A6dp horizontal assembly incl. screws

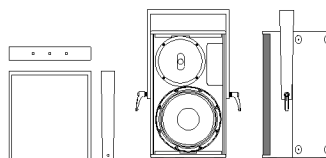
(per unit: 2 pcs adapters, M10 hex lock nuts,
flat- and rubber washers.
- optional feature: 2 pcs M10 x 20 ergostyle lobe knob)



Order Number: 01216H set

Flying Bracket for A6 / A6dp incl. screws

(per unit: 2 pcs M10 x 30 adjustable clamping lever)



Order Number: 01216 set