

# AF6 /

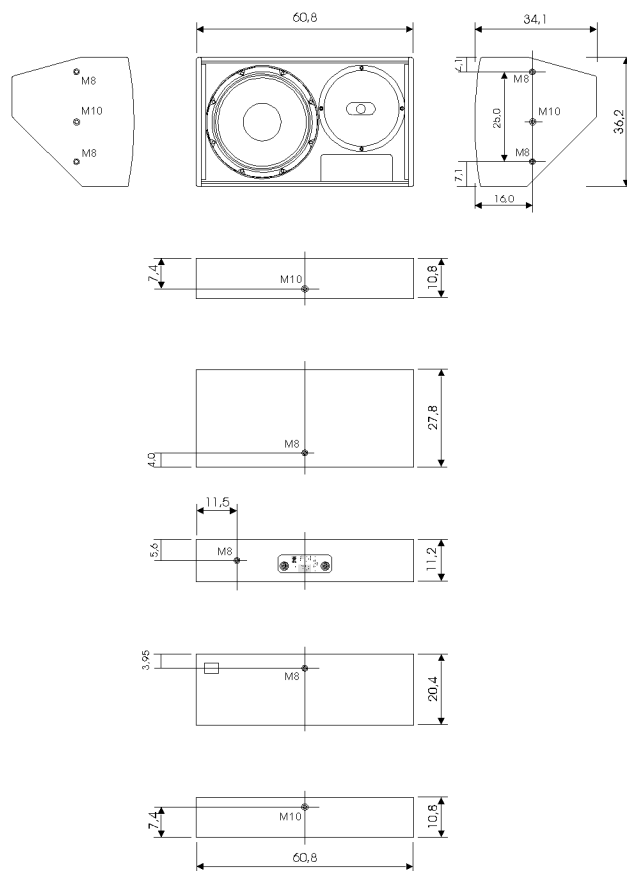
High Performance Sound System  
for permanent Installation

12" / 1" cabinet with very linear sound reproduction for use as high quality Fullrange / HiMid unit. The rotatable 1" DCP horn ( Dual Pattern Circular Horn ) keeps its dispersion of 90° x 60° over a wide frequency range. Works well for high class sound installations.



## PRODUCT SPECIFICATIONS

Speaker Components	12" Neodym / 1"
Description	High Performance Sound System for permanent Installation
Powerhandling - AES / Peak	400 Watt / 1200 Watt
Impedance - nominal	8 Ohm
SPL 1m - 1Watt / Peak	99dB / 128dB
Usable Range	50Hz - 20kHz
Tuning Frequency - Excursion min.	60Hz
X - Overpoint - acoustical	1,3kHz
Connectors	2x Neutrik Speakon 4-pol Coding: 1+/- HiMid, 2+/- Sub
Coverage - horizontal / vertical	90° x 60° - rotatable
Rigging - flying points	4 x M10 / 7 x M8
Weight	18,0kg
Size - height x width x depth	60,8 x 36,2 x 34,1 cm
Art. Nr.	0260 / F



**acoustic**  
**line**  
SEEBURG  
Professional PA Systems