

TSM 10

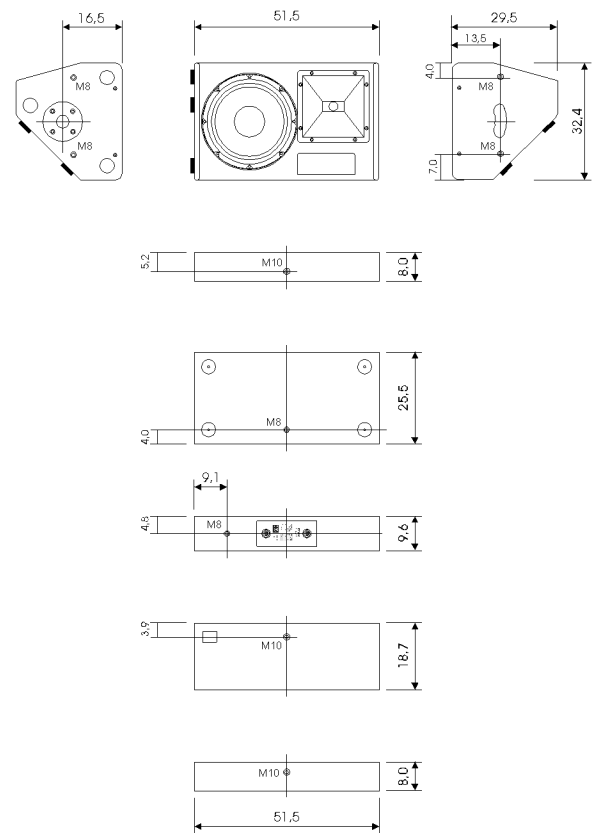
/ Compact Sound System for Multiple Use

Compact multifunctional 10" / 1" system.
Low weight due to the Neodym speaker,
pivotable horn.

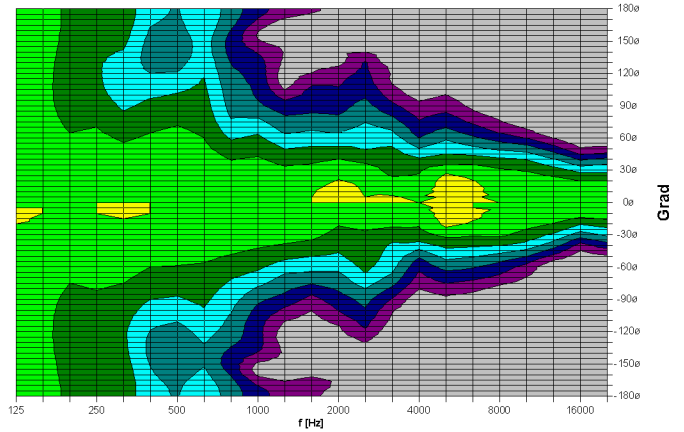


PRODUCT SPECIFICATIONS

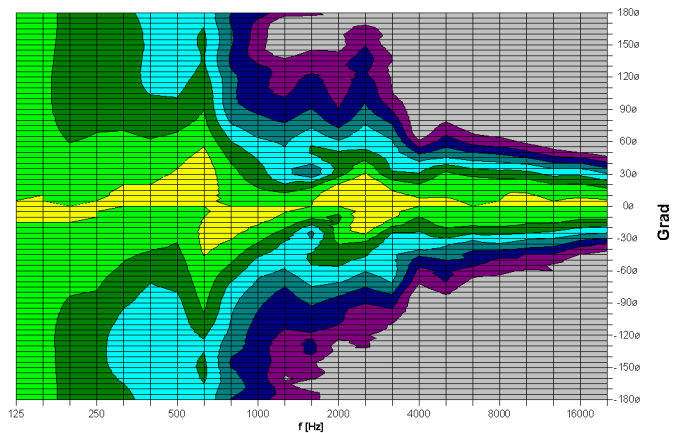
Speaker Components	10" Neodym / 1"
Description	Multipurpose Sound System
Powerhandling - AES / Peak	400 Watt / 1200 Watt
Impedance - nominal	8 Ohm
SPL 1m - 1Watt / Peak	96dB / 126dB
Usable Range	60Hz - 19kHz
Tuning Frequency - Excursion min.	68Hz
X - Overpoint - acoustical	1,5kHz
Connectors	2x Neutrik Speakon 4-pol Coding: 1+/- HiMid, 2+/- Sub
Coverage - horizontal / vertical	90° x 60° - rotatable
Handles	ergonomic handle on top
Rigging - flying points	3 x M10 / 6 x M8
Fittings	35mm pole mount
Weight	14,5kg
Size - height x width x depth	51,5 x 32,4 x 29,5 cm
Art. Nr.	0960



TSM10 horizontal - 2D Directivity Plot



TSM10 vertikal - 2D Directivity Plot

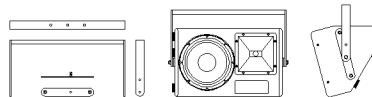


For more information, please visit our Data CD-Rom

Accessories (more accessories you can find in our general list of accessories)

Flying Bracket for TSM10 horizontal assembly incl. screws

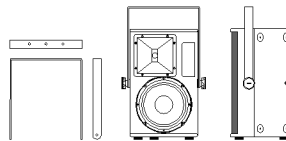
(per unit: 2 pcs adapters, M10 hex lock nuts,
flat - and rubber washers.
- optional feature: 2 pcs. M10 x 20 ergostyle lobe knob)



Order number: 01220H set

Flying Bracket for TSM10 incl. screws

(per unit: 2 pcs. M10 x 20 ergostyle lobe knob
and rubber washers)



Order number: 01220 set

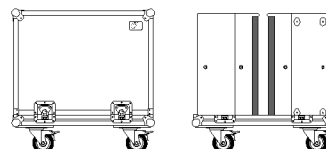
Cover for TSM10 - padded



Order number: 01244

Flightcase for 2 pcs. TSM10

Heavy duty, 6.5 mm birch multiplex, PVC coated, ball corners,
recessed sprung handles, butterfly catches, rubber bases,
interior lined with felt.



Order number: 16060

More flightcases
on request