

TSM12dp

digitally powered multifunctional Sound System

The TSM12dp (dp = digitally powered) is a multifunctional high-power loudspeaker offering extraordinary fidelity and high power in a very compact package.

The integral digital amplifier offers 2x 1000 watts total output power and is controlled by a DSP.

The speaker components (12" long excursion neodym low-mid speaker with 100mm voice coil, 1,4" neodym driver with 76mm voice coil) are driven by separate amplifiers.

Several factory set volume settings & presets can be recalled.

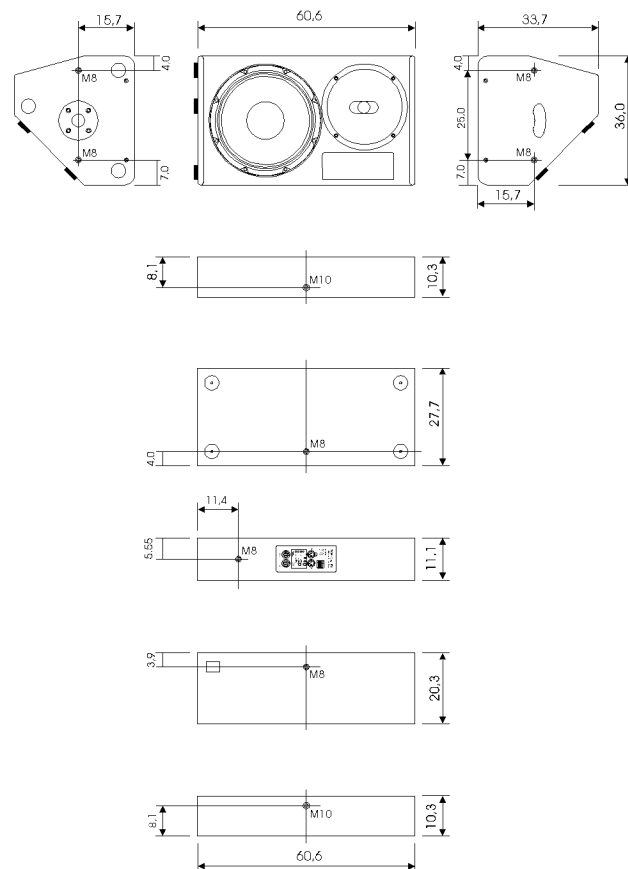
Extraordinary fidelity and capability to accept very high input levels is assured by first class design and high quality industrial electronic components, also minimizing noise.

A high effective and intelligent limiting system guarantees overload protection without limiting system capabilities.



PRODUCT SPECIFICATIONS

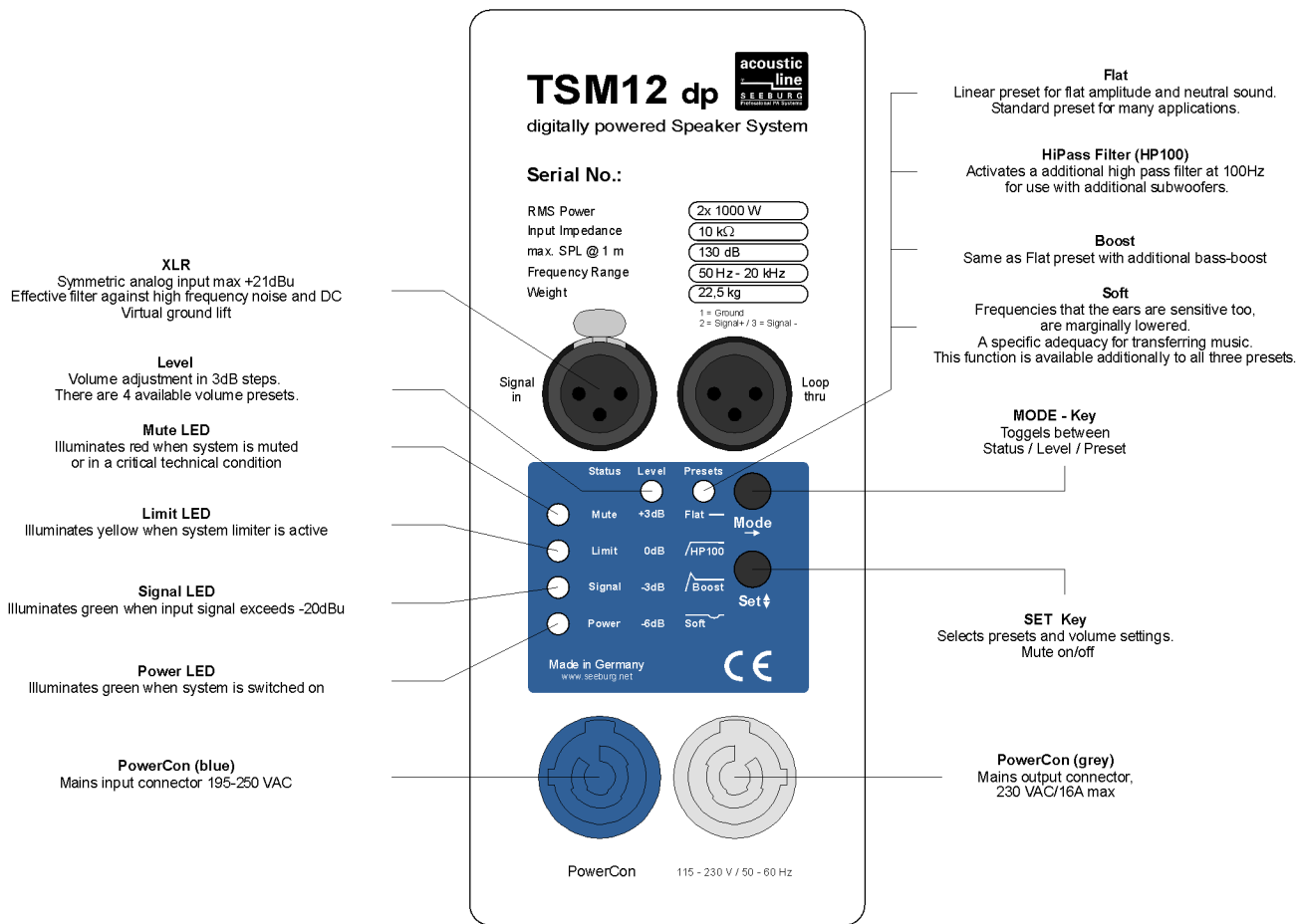
Speaker Components	12" Neodym / 1,4" Neodym
Description	Multipurpose Sound System
Power	2x 1000 W EIA / 195-250 VAC
Max Line Input	+21dBu
DSP	32bit RISC
Internal Signal Path	32bit fixed-point, 64bit accumulator
	64bit IIR-coefficients
AD/DA	24bit / 48kHz
Latency	1.54ms (analog in to analog out)
Signal/Noise Ratio	115dB
All components comply with industrial temperature range	
SPL max 1m	130dB
Frequency Range	50Hz - 20kHz (Flat-Preset)
Tuning Frequency - Excursion min.	54Hz
X - Overpoint - acoustical	850Hz
Connectors	Neutrik XLR in/out
	Neutrik PowerCon in/out
Coverage - horizontal / vertical	90° x 60° - rotatable
Handles	ergonomic handle on top
Rigging - flying points	2 x M10 / 7 x M8
Fittings	35mm pole mount
Weight	22,5kg
Size - height x width x depth	60,6 x 36,0 x 33,7 cm
Order Number	0958 dp



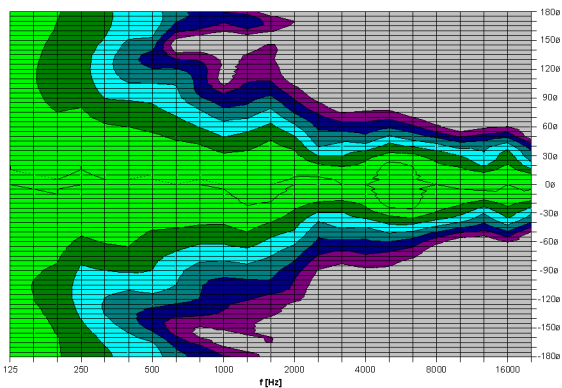
Made in Germany
www.seeburg.net

TSM12dp

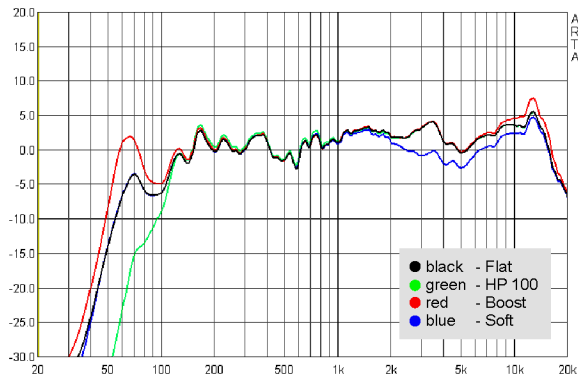
digitally powered multifunctional Sound System



TSM12dp 90°x 60° horizontal - 2D Directivity Plot



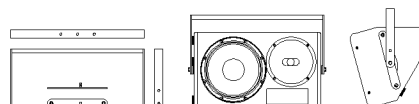
TSM12dp - Presets - Frequency response



Accessories (additional accessories you will find in our general catalogue)

Flying Bracket for TSM12 / TSM12dp horizontal assembly incl. screws

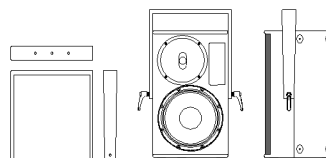
(per unit: 2 pcs adapters, M10 hex lock nuts, flat- and rubber washers.
 - optional feature: 2 pcs M10 x 20 ergostyle lobe knob)



Order Number: 01216H set

Flying Bracket for TSM12 / TSM12dp incl. screws

(per unit: 2 pcs M10 x 30 adjustable clamping lever)



Order Number: 01216 set