

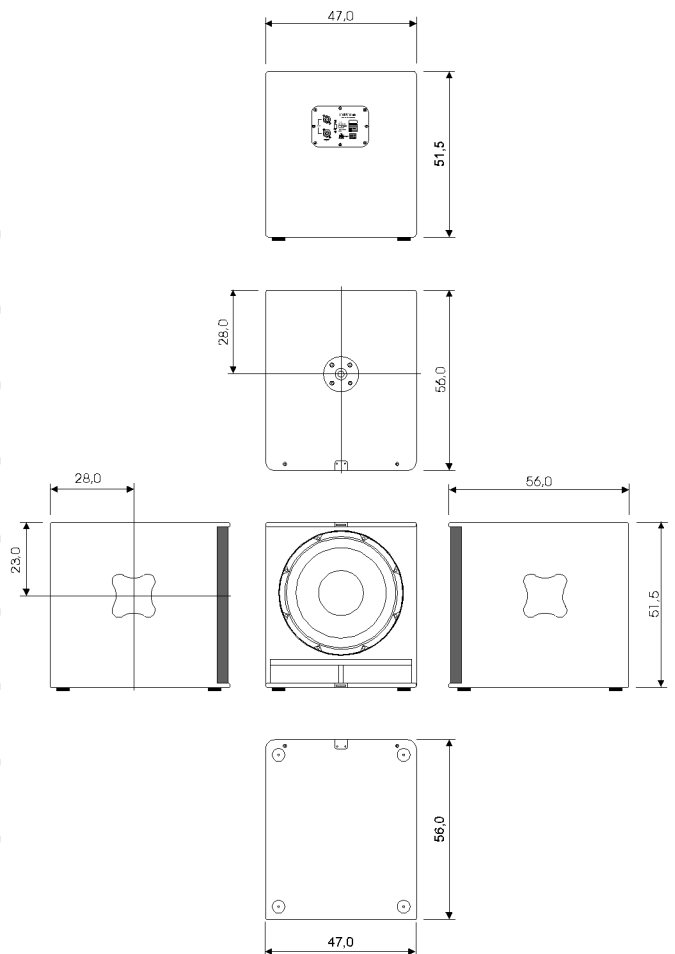
TSM Sub / Passive Bass Extension

High-end universal high-performance subwoofer.
Connectable crossover for passive operation.
A 15" Neodym chassis with powerful drive provides
exceptionally dynamic bass response and high pulse
fidelity.
Passive version of the TSM Sub dp+.



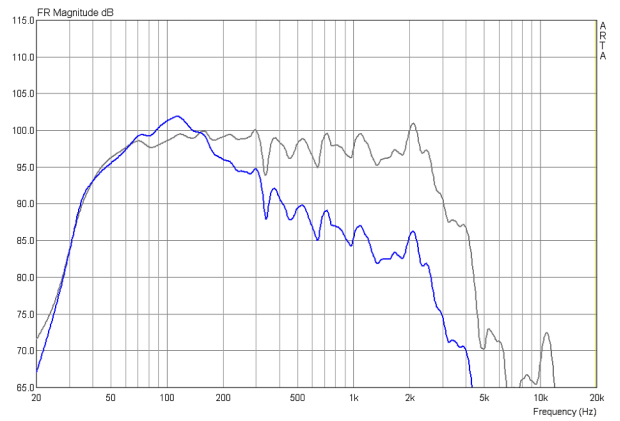
PRODUCT SPECIFICATIONS

Speaker Components	15" Neodym
Description	Passive Bass Extension
Powerhandling - AES / Peak	500 Watt / 1500 Watt
Impedance - nominal	8 Ohm
SPL 1m - 1Watt / Peak	99dB / 131dB
Usable Range	35Hz - 220Hz
Tuning Frequency - Excursion min.	42Hz
X - Overpoint - acoustical	180Hz
Connectors	2x Neutrik Speakon 4-pol Coding: 1+/- passive operation 2+/- active operation
Handles	2x 4D handle
Fittings	M20 on top wheelboard fittings
Weight	24,0kg
Size - height x width x depth	51,5 x 47,0 x 56,0 cm
Art. Nr.	0974

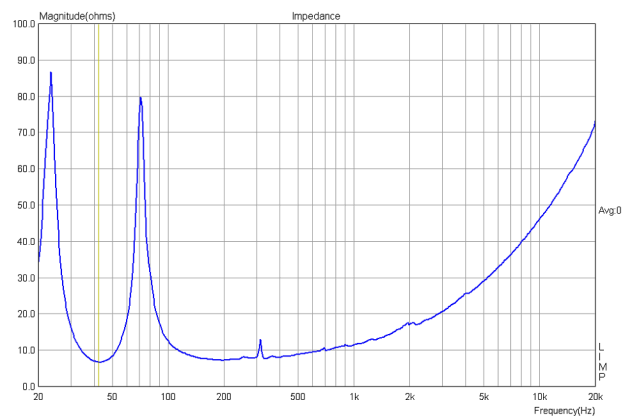


TSM Sub / Passive Bass Extension

TSM Sub Frequenzgangkurve (grau ohne Weiche, blau mit Weiche)



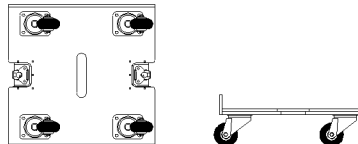
TSM Sub Impedanzkurve



For more information, please visit our Data CD-Rom

Accessories (more accessories you can find in our general list of accessories)

Wheelboard for TSM Sub



Order number: 01265

Speaker Pole, M20, 1m adjustable, K&M



Order number: 03022

Cover for TSM Sub

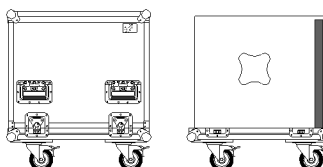
- Version1: Operation with Wheelboard - Order number: 01246

- Version2: Operation without Wheelboard - Order number: 01247



Flightcase for 1 piece TSM Sub

Heavy duty, 6.5 mm birch multiplex, PVC coated, ball corners, 6 pcs recessed sprung handles, 4 pcs. butterfly catches, 100 mm Blue Wheels, 2 pcs. with brake, interior lined with felt.



Order number: 16048

more flightcases on request